

VIIIS Nozzles



Pressure activated, automatic shut-off nozzle with polymer handguard for truck stop and other high volume full-service, self-service and unattended stations.

- VIIIS nozzle shuts off when:
 - the pump shuts off.
 - the gas tank is full.
 - the lever is opened before the pump is turned on.
 - the leak detector has not completed the test cycle.
- Nozzle is equipped with a unique Flo-Stop® device that shuts off the nozzle if it falls from the fill tank or raises above the horizontal.
- Spout is reinforced with thick aluminum bushing that retains spout spring and keeps spout from rounding-in: the two leading causes of clicking off and splash-back spillage.

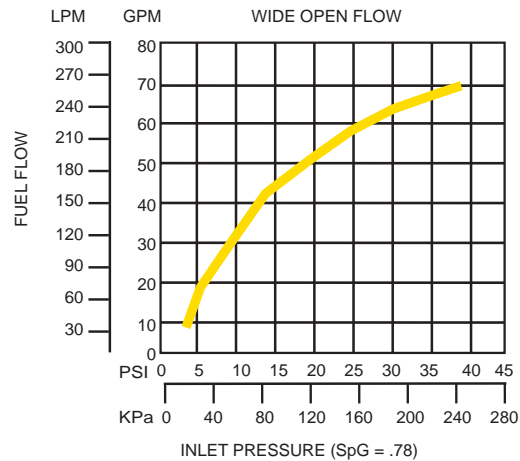


New Heavy Duty Diesel Nozzles with NPT

MODEL NO.	DESCRIPTION	SHIPPING WEIGHT LBS (KG)
177610	with Three Notch Hold Open Clip, Waffle Splash Guard and Spout Bushing	4.6 (2.0)
17761001	with Three Notch Hold Open Clip, Waffle Splash Guard, Long Spout and Spout Bushing	4.6 (2.0)
177690	with Three Notch Hold Open Clip, POPD® S Full Grip Guard, Waffle Splash Guard and Spout Bushing	4.6 (2.0)
177612	without Hold Open Clip, with Waffle Splash Guard and Spout Bushing	4.6 (2.0)
1776147	with Three Notch Hold Open Clip, POPD® H Full Grip Guard, Waffle Splash Guard and Spout Bushing	4.6 (2.0)
504010	with Three Notch Hold Open Clip and Waffle Splash Guard without Spout Bushing	4.6 (2.0)
504012	without Hold Open Clip and Spout Bushing, with Waffle Splash Guard	4.6 (2.0)
5040132	with Three Notch Hold Open Clip, without Waffle Splash Guard or Spout Bushing	4.6 (2.0)
11043132	with Three Notch Hold Open Clip, and Short Spout Spring, without Spout Bushing or Waffle Splash Guard	4.6 (2.0)
1776240	with Single Notch Hold Open Clip, Waffle Splash Guard and Spout Bushing	4.6 (2.0)

Construction

Body	Aluminum
Seals	Fluorocarbon
Packing	Double o-ring seal protected by fiber reinforced Teflon®
Lever	One piece contoured steel
Inlet	1" / 25.4 mm NPT



WARNING: Cancer and Reproductive Harm - www.P65Warnings.ca.gov

Pressure activated, automatic shut-off nozzle with polymer handguard for truck stop and other high volume full-service, self-service and unattended stations.

Dimensions and System Options

Safe-T-Breaks®

MODEL NO.	DESCRIPTION
002276	1" F x 1" F Reconnectable Safe-T-Break®
005812	1" F x 1" F Non-Reconnectable Safe-T-Break®
006301	1" F x 1" F Non-Reconnectable PCC Safe-T-Break®
005231	1" F x 1" F Low Pull Reconnectable Safe-T-Break®

Swivels

MODEL NO.	DESCRIPTION
000087	1" M x 1" F Multi-Plane Swivel
004860	1" M x 1" F Multi-Plane High Volume Swivel
000095	1" M x 1" F Multi-Plane 70° Pump Swivel
003395	1" M x 1" F Multi-Plane Restricted Swivel

Swivel/Safe-T-Break® Combos

MODEL NO.	DESCRIPTION
005969	1" M Multi-Plane Swivel connected to 1" F Reconnectable Safe-T-Break®

Spouts

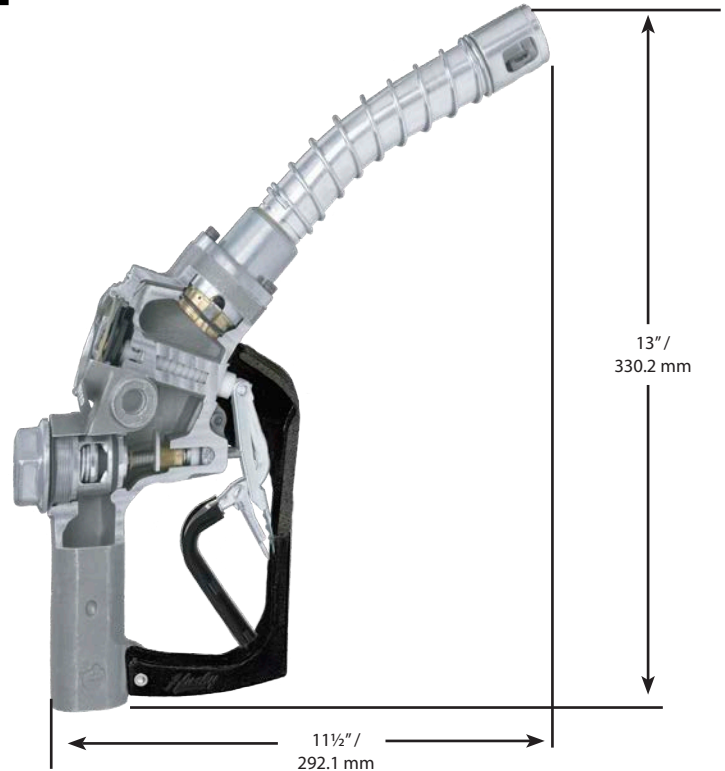
MODEL NO.	DESCRIPTION
002279	Complete Spout Assembly with Spout Bushing
005017	Complete Spout Assembly without Spout Bushing
003589	Complete Long Spout Assembly with Spout Bushing
011043	Complete Spout Assembly without Spout Bushing and Small Spout Spring

Pressure/Vacuum Vents

MODEL NO.	DESCRIPTION
004620	2" Slip-On Pressure Vacuum Vent
004885	2" Thread-On Pressure Vacuum Vent - NPT
005885	2" Thread-On Pressure Vacuum Vent with Internal Screen - NPT

Accessories, Testing and Maintenance

MODEL NO.	DESCRIPTION
003593	Hold Open Clip Kit
007089	Nozzle Service Kit
006645	Plunger Assy Lift Tool



Guards

MODEL NO.	DESCRIPTION
004740	Full Grip Guard
005516	Full Grip Reguard
005494	Lever Guard
008178	POPD® EZH Nozzle Guard
008177	POPD® EZS Nozzle Guard
007999	POPD® H Clear Cover
008186	POPD® H Full Grip Guard
008193	POPD® H Full Grip Reguard
008168	POPD® H Mate Guard
006628	POPD® S Clear Cover
007352	POPD® S Full Grip Guard
008194	POPD® S Full Grip Reguard
008167	POPD® S Mate Guard
001808	Waffle Splash Guard